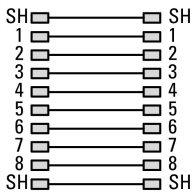




Front element, +bulkhead interface RJ45

Part no. **M22-RJ45-SA**
 Catalog No. **107413**
 Eaton Catalog No. **M22-RJ45-SAQ**
 EL-Nummer **0004355601**
 (Norway)

Delivery program

Accessories			General accessories
Basic function accessories			Bulkhead interface, RJ45 socket
			RJ45 socket, 8/8, cat. 5e
Degree of Protection			IP65 (with closed cover) IP20 (with plug connected)
Front ring			Bezel: titanium
Connection to SmartWire-DT			no
For use with			Front mounting
Terminal diagram / contact assignment			
Actuator travel and actuation force as per DIN EN 60947-5-1, K.5.4.1			
Minimum force for positive opening	N		0

Technical data

Technical data

Nominal voltage	U_L		AC 24 V
Voltage range			AC 50 V
Rated current		mA	1500
Number of poles			8 pole
Class / category			5
Contact type art			1 : 1
Screen earth kit			yes

General

Design			RJ45
Insulation resistance	R_{ISO}	MΩ	> ≥ 100
Volume resistance			< 30 mΩ
Contact material			CuSn, gold-plated
Mounting			Front panel cutout d = 22.5 mm
Mounting depth:		mm	ca. 70 (incl. Krümmung)
Ambient temperature			-25 - +70
Storage		°C	- 25 - + 80
Lifespan, mechanical	Operations		< 750 insertion cycles
Weight		kg/piece	0.02

Design verification as per IEC/EN 61439

Technical data for design verification			
--	--	--	--

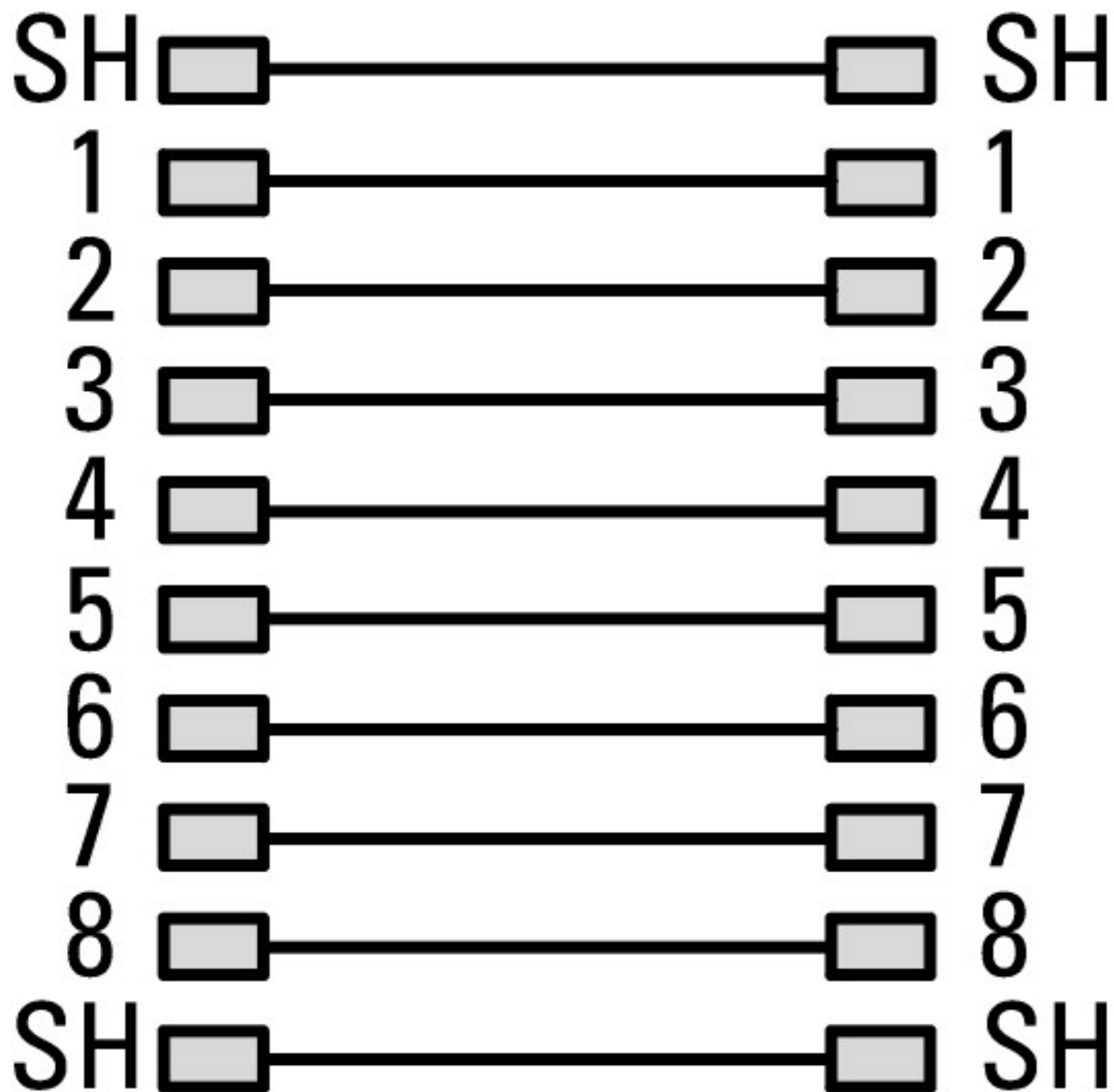
Heat dissipation capacity	P _{diss}	W	0
Operating ambient temperature min.		°C	-25
Operating ambient temperature max.		°C	70
IEC/EN 61439 design verification			
10.2 Strength of materials and parts			
10.2.2 Corrosion resistance			Meets the product standard's requirements.
10.2.3.1 Verification of thermal stability of enclosures			Meets the product standard's requirements.
10.2.3.2 Verification of resistance of insulating materials to normal heat			Meets the product standard's requirements.
10.2.3.3 Verification of resistance of insulating materials to abnormal heat and fire due to internal electric effects			Meets the product standard's requirements.
10.2.4 Resistance to ultra-violet (UV) radiation			Please enquire
10.2.5 Lifting			Does not apply, since the entire switchgear needs to be evaluated.
10.2.6 Mechanical impact			Does not apply, since the entire switchgear needs to be evaluated.
10.2.7 Inscriptions			Meets the product standard's requirements.
10.3 Degree of protection of ASSEMBLIES			Does not apply, since the entire switchgear needs to be evaluated.
10.4 Clearances and creepage distances			Meets the product standard's requirements.
10.5 Protection against electric shock			Does not apply, since the entire switchgear needs to be evaluated.
10.6 Incorporation of switching devices and components			Does not apply, since the entire switchgear needs to be evaluated.
10.7 Internal electrical circuits and connections			Is the panel builder's responsibility.
10.8 Connections for external conductors			Is the panel builder's responsibility.
10.9 Insulation properties			
10.9.2 Power-frequency electric strength			Is the panel builder's responsibility.
10.9.3 Impulse withstand voltage			Is the panel builder's responsibility.
10.9.4 Testing of enclosures made of insulating material			Is the panel builder's responsibility.
10.10 Temperature rise			The panel builder is responsible for the temperature rise calculation. Eaton will provide heat dissipation data for the devices.
10.11 Short-circuit rating			Is the panel builder's responsibility. The specifications for the switchgear must be observed.
10.12 Electromagnetic compatibility			Is the panel builder's responsibility. The specifications for the switchgear must be observed.
10.13 Mechanical function			The device meets the requirements, provided the information in the instruction leaflet (IL) is observed.

Technical data ETIM 7.0

Low-voltage industrial components (EG000017) / Accessories for control circuit devices (EC002024)			
Type of electrical accessory			Other
Type of mechanical accessory			Other

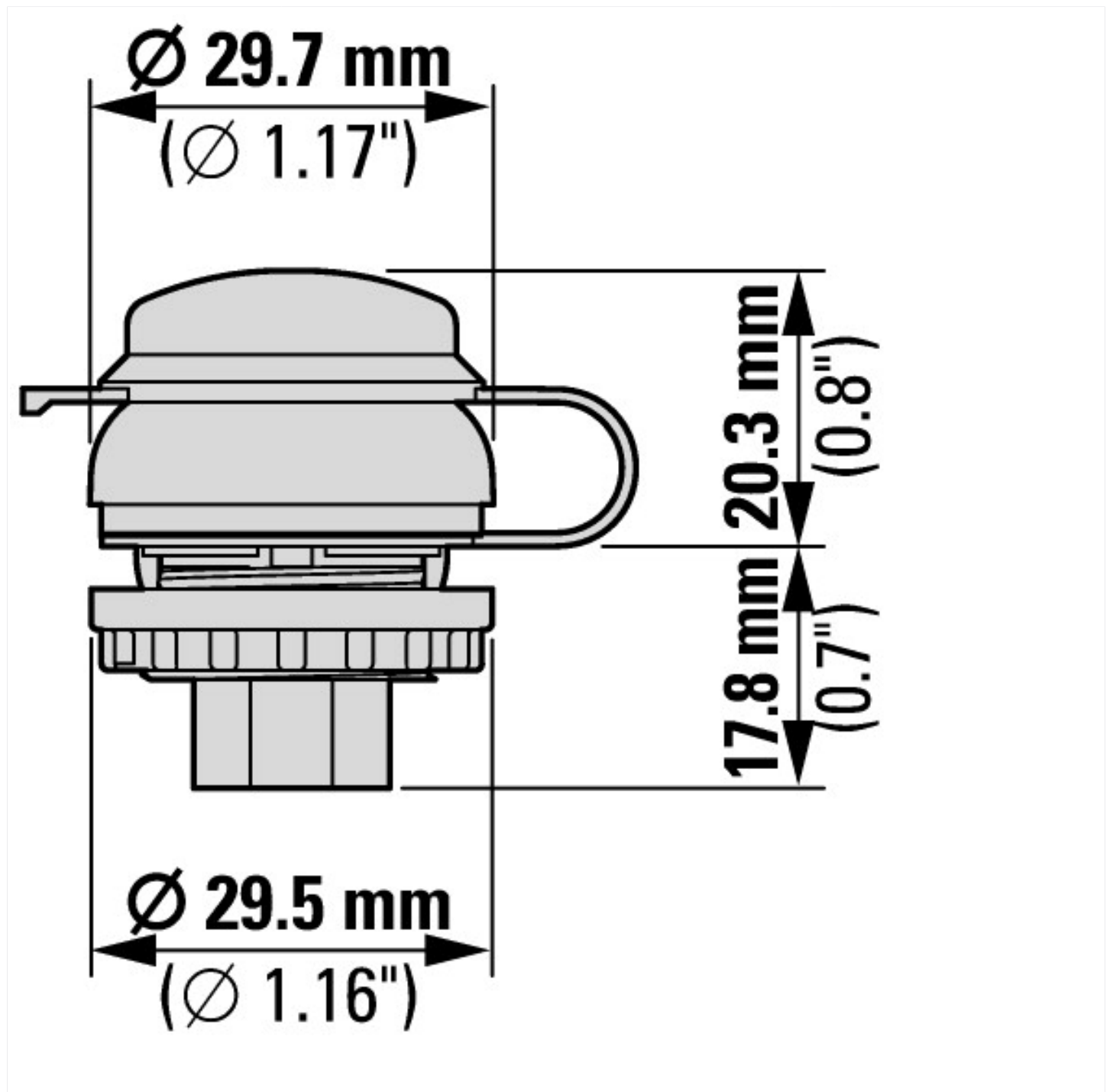
Approvals

Product Standards			UL 508; CSA-C22.2 No. 142; IEC/EN 6113-2; CE marking
UL File No.			E330994
UL Category Control No.			DUXR, DUXR7
CSA File No.			UL report applies to both US and Canada
CSA Class No.			-
North America Certification			UL listed, certified by UL for use in Canada
Degree of Protection			IEC: IP65 and UL/CSA NEMA Type 12 when closed, IP20 when connected



SH: Schirmung

Dimensions



Additional product information (links)

IL0471600ZZ (AWA1160-1745) RMQ-Titan System

IL0471600ZZ (AWA1160-1745) RMQ-Titan System

ftp://ftp.moeller.net/DOCUMENTATION/AWA_INSTRUCTIONS/IL0471600ZZ2018_10.pdf